

INVS HM Series

On & Off Grid Energy Storage Inverter

1.5/2.5/4/6KW



Max PV input current 27A

Designed with 27A PV input current compatible to the market trend of increased Imp in solar panel



Easy access

Two outputs for smart load management
The second output can be scheduled on & off based on setting cut-off voltage or SOC



Battery

Battery equalization function extend lifecycle
Reserved com port (RS-485,CAN) for BMS



Protect

Built-in anti-dusk kit for harsh environment
AC overcurrent, AC overvoltage, Over-heat protection



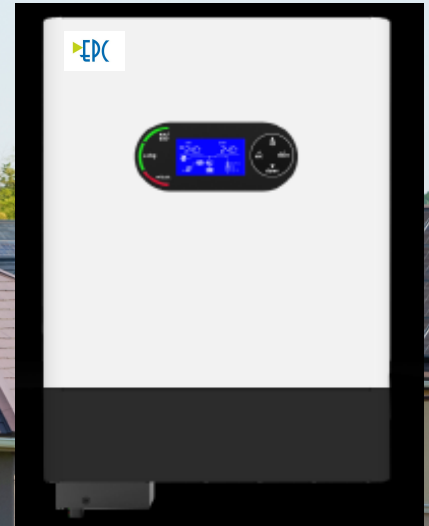
On-Grid and Off-Grid

INVS HM series is suitable for on-grid and off-grid applications.

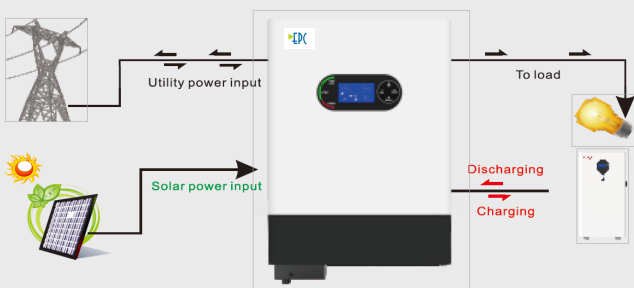


Interface

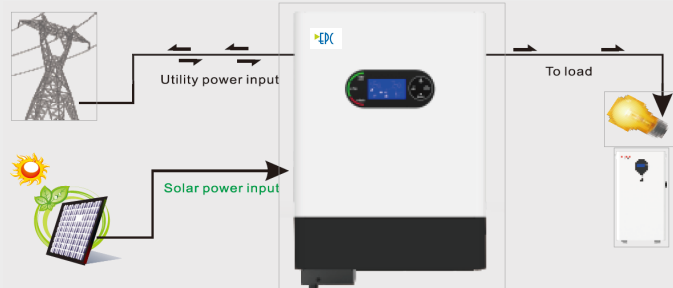
Global cloud platform Mobile APP Anytime and any where Open APP, support power internet applications



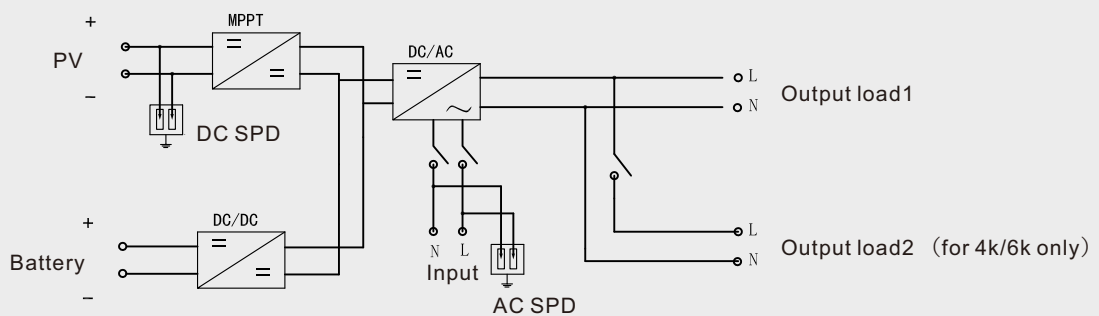
With battery connected



Without battery connected



Schematic diagram



Technical Specification	INVS HM Series			
Rated power	1500VA/1500W	2500VA/2500W	4000VA/4000W	6000VA/6000W
AC Input				
AC voltage	230VAC			
Voltage Range	170-280VAC(For Personal Computers);90-280VAC (For Home Appliances)			
Frequency Range	50Hz/60Hz(Auto sensing)			
AC Output				
Surge power	3000VA	5000VA	8000VA	12000VA
Voltage regulation(Batt Mode)	230VAC±5%			
Rated frequency	50/60Hz			
Efficiency(Peak)	up to 93.5%			
Automatic switching time	10ms (For Personal Computers);20ms (For Home Appliances);			
SOLAR CHARGER & AC CHARGER				
Maximum PV Array Open voltage(V)	500VDC			
Maximum PV Array power	2500W	3000W	5000W	6000W
MPPT voltage range(V)	60~450VDC			
Maximum input current	6A	9A	27A	
MPPT tracker/strings	1			
Maximum solar charge current	80A		120A	
Maximum AC charge current	60A		100A	
Maximum charge current	80A		120A	
Battery				
Battery voltage	12VDC	24VDC	24VDC	48VDC
Floating Charge voltage	13.5VDC	27VDC	27VDC	54VDC
Overcharge Protection	16VDC	33VDC	33VDC	63VDC
Battery type	lithium /Lead-acid			
Protection& Feature				
AC overcurrent,	Yes			
AC overvoltage	Yes			
Over-heat protection	Yes			
Smart load management	Yes (for 4/6k)			
On Grid	No		Yes	
General Parameter				
Operation temperature	0°C ~ 50°C			
Relative humidity	0 ~95% (non-condensing)			
Altitude 2,000m	(>2,000 Derating)			
Dimensions D x W x H (mm)	356x255x104.5		434x311x126.5	
Weight (kg)	5.3	5.5	8.5	9
Display and communication				
Display	Touch key+LCD			
Interface	Standard:RS485,CAN ; Opt: Wifi ,Bluetooth			
Safety standard	EN/IEC 62109-1,EN/IEC 62109-2			