

INVS M4 Series

Hybrid Energy Storage Inverter

3.6-5.6KW

Battery Optional



1kW=1kVA



Parallel



Bluetooth



Product Snapshot

Model: 3.6KW/5.6KW

Nominal Voltage: 230VAC

Frequency Range: 50Hz/60Hz



Anti-Dust Kit:

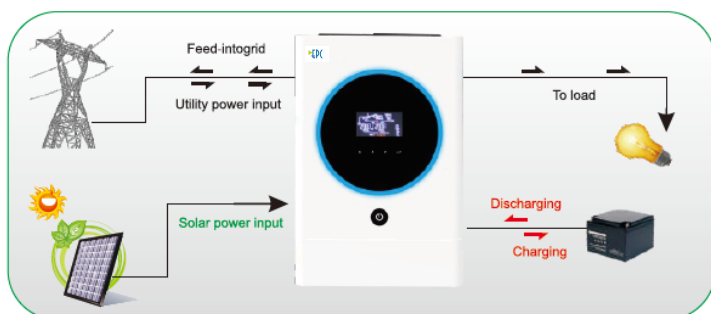
After installing this anti-dust kit, inverter will automatically detect this kit and activate internal thermal sensor to adjust internal temperature. By virtue of the dustproof design, it dramatically increases product reliability in harsh environment.

Key Features:

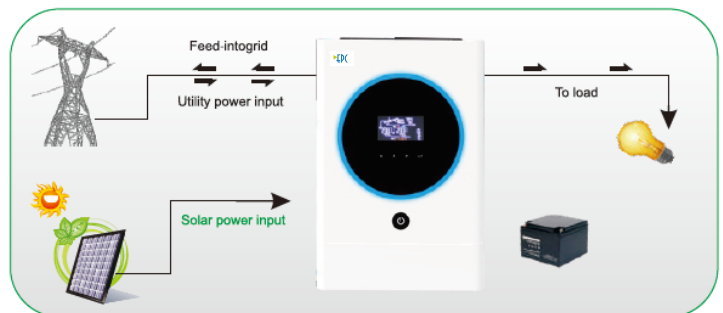
- Hybrid solar inverter(on/off grid inverter).
- On-grid with energy storage .
- Pure sine wave solar inverter
- Output power factor 1
- Parallel operation up to 9 units
- High PV input voltage range
- Battery independent design
- Built-in 120A MPPT solar charger
- Battery equalization function to optimize battery performance and extend lifecycle
- Built-in anti-dusk kit for harsh environment

Hybrid Operation

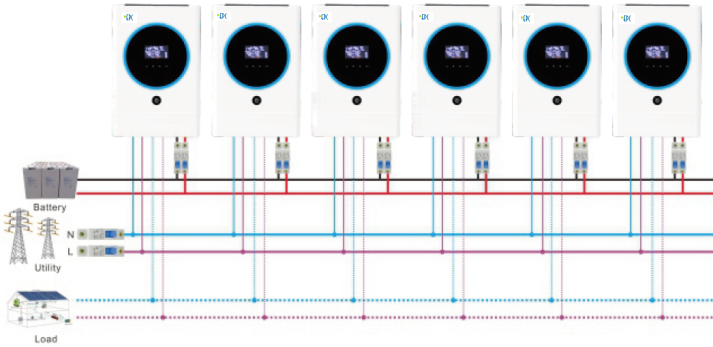
With battery connected



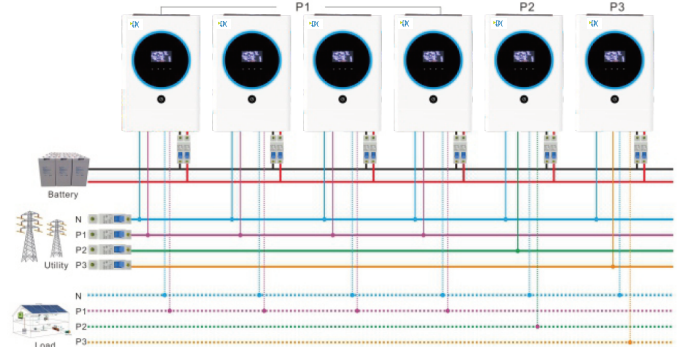
Without battery connected



■ Single phase output up to 49.5KW using 9 units



■ Three phase output using either 3 units(16.5KW)or max 9 units(49.5KW)



INVS M4 Series

Wall Mounted Integrated Solar Inverter Technical Specification

Built-in MPPT Solar Controller

MODEL	INVS M4 3600-24	INVS M4 5600-48
Max PV Array Power	3600W	5600W
Rated Output Power	3600W	5600W
Maximum PV Array Open Circuit Voltage	500VDC	
MPPT Range @ Operating Voltage	120-450VDC	
GRID-TIE OPERATION		
GRID OUTPUT (AC)		
Nominal Output Voltage	220/230/240VAC	
Output Voltage Range	184-265VAC	
Nominal Output Current	16.4A/15.7A/15A	25.5A/24.3A/23.3A
Efficiency	Up to 93.5%	
OFF-GRID, HYBRID OPERATION		
GRID INPUT		
Acceptable Input Voltage Range	120-280VAC	
Frequency Range	50Hz/60Hz (Auto sensing)	
BATTERY MODE OUTPUT (AC)		
Nominal Output Voltage	220/230/240VAC	
Output Wave form	Pure sine wave	
BATTERY & CHARGER		
Nominal DC Voltage	24VDC	48VDC
Maximum Solar Charge Current	120A	
Maximum AC Charge Current	100A	
Maximum Charge Current	120A	
Emergency output power		
Maximum output Power	3600W	5600W
Surge Power	7200W	11200W
Automatic Transfer Time	<8ms	
GENERAL		
INTERFACE		
Parallel Function	Yes	
Communication	USB & RS232	
ENVIRONMENT		
Humidity	0~90% RH (No Condensing)	
Operating Temperature	0 to 50°C	
Net Weight(KG)	9	10
Rough Weight(KG)	10	11
Dimension (W x D x H)mm	480 x 302 x 120	

Note:Product specifications are subject to change without further notice.

INVS M4 Series

Hybrid On&Off Grid Energy Storage Inverter

8KW

Battery Optional

1kW=1kVA

Parallel

Bluetooth



Product Snapshot

Model: 8KW

Nominal Voltage: 230VAC

Frequency Range: 50Hz/60Hz

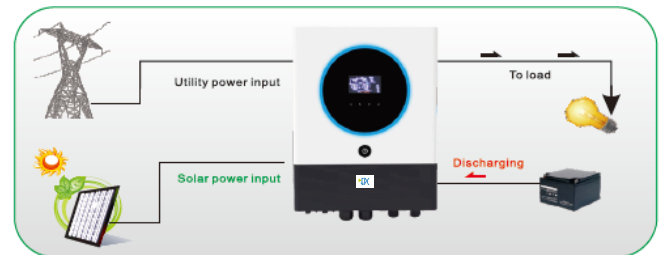
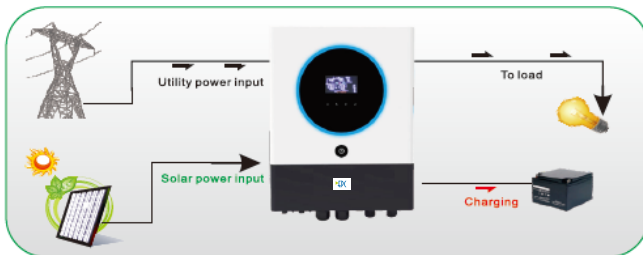
Key Features:

- PF= 1.0 KVA=KW
- Built-in two 4000W MPPTs, with wide input range:120-450VDC
- Support Parallel 6 units
- Communication WIFI or bluetooth
- Operation without battery
- Reserved RS485, CAN port for BMS
- Touchable button with large 5" colored LCD

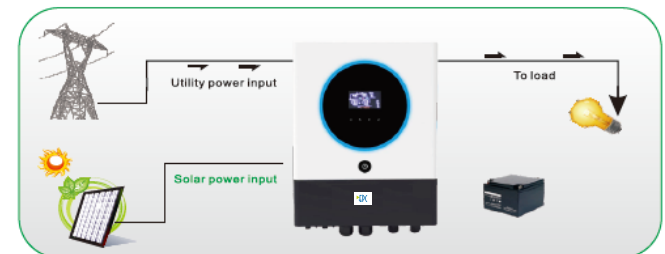
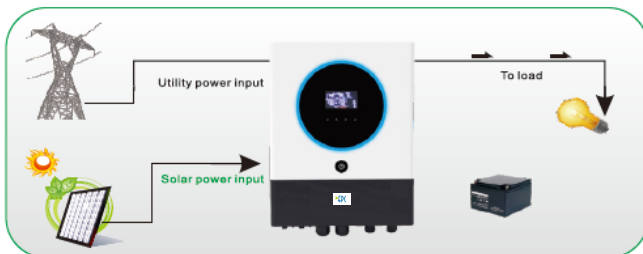


Hybrid Operation

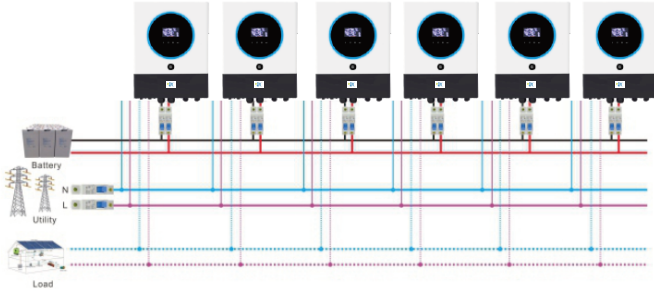
With battery connected



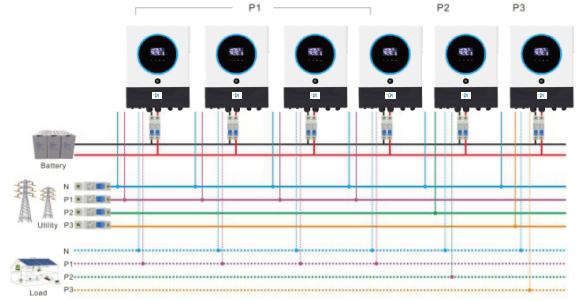
Without battery connected



■ Single phase output up to 48 KW using 6 units



■ Three phase output using either 3 units(24 KW)or max 6 units(48 KW)



INVS M4 Series

Wall Mounted Integrated Solar Inverter Technical Specification

Built-in MPPT Solar Controller

MODEL	INVS M4 8000-48
Rated Power	8000VA/8000W
INPUT	
Voltage	230 VAC
Selectable Voltage Range	170-280 VAC (For Personal Computers) ; 90-280 VAC (For Home Appliances)
Frequency Range	50 Hz/60 Hz (Auto sensing)
OUTPUT	
AC Voltage Regulation(Batt. Mode)	230VAC ± 5%
Surge Power	16000VA
Efficiency (Peak)	up to 93.5%
Transfer Time	10 ms (For Personal Computers) ; 20 ms (For Home Appliances)
Waveform	Pure sine wave
BATTERY	
Battery Voltage	48 VDC
Floating Charge Voltage	54 VDC
Overcharge Protection	60VDC
SOLAR CHARGER & AC CHARGER	
Maximum PV Array Open Circuit Voltage	450VDC
Maximum PV Array Power	4000W*2
MPPT Range @ Operating Voltage	120~450 VDC
Maximum Solar Charge Current	120A
Maximum AC Charge Current	120A
Maximum Charge Current	120A
PHYSICAL	
Dimension, D x W x H (mm)	420X561.6X152.4
Net Weight (kgs)	21
Communication Interface	USB/RS232
ENVIRONMENT	
Humidity	5% to 95% Relative Humidity (Non-condensing)
Operating Temperature	-10°C to 50°C
Storage Temperature	-15°C to 60°C

Note:Product specifications are subject to change without further notice.