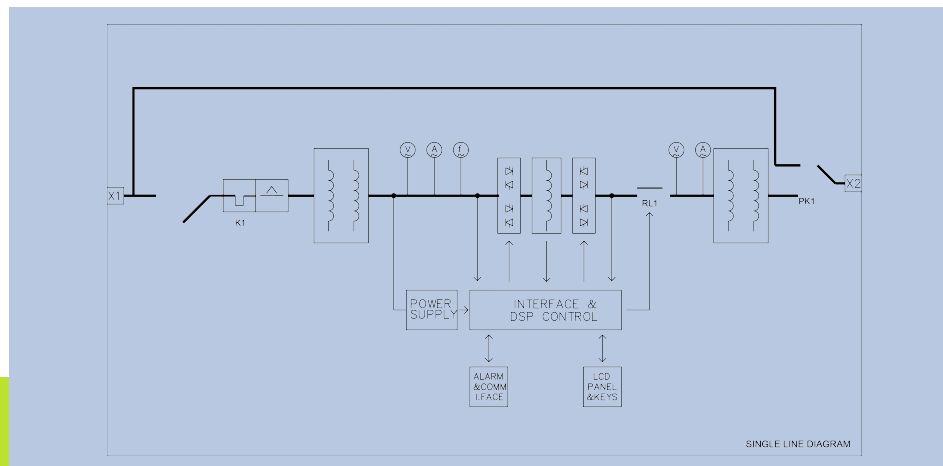


# tCON SERIES | STATIC VOLTAGE REGULATOR

KEY FEATURES		
Power	1kVA - 200kVA	10kVA - 2000kVA
Input Phase	Single Phase	Three Phases
INPUT PARAMETERS		
Input Voltage	120 / 127 VAC Single Phase + Neutral	3*208 / 3*220 VAC Three Phase + Neutral
Input Voltage Tolerance	95≤120≤145; 100≤127≤152	166≤208≤250; 176≤220≤264
Input Frequency	50 - 60 Hz ± %5	
OUTPUT PARAMETERS		
Output Voltage	120 / 127 VAC Single Phase + Neutral	3*208 / 3*220 VAC Three Phase + Neutral
Output Tolerance	± %3 (± %2 Optional)	
Overload	115%@ load 10mins; 125%@ load 1mins; 150%@ load 10sec; >150%@ load Output Off	
Output Frequency	50 - 60 Hz ± %5	
Regulation Speed	~500V/s	
Power Factor	0.8	
Efficiency	92%	94%
Output Connection	Suitable terminal with 4x16 Character LCD Display	
Measurements	Input Power; Input Voltage; Output Voltage; Output Load; Output Frequency	
Alarms	Overload; Over Temperature; Input Fault; Output Fault etc.	
Communication	RS232(Standard), Dry Contacts(Standard), RS485(Optional) TCP(Optional), SNMP(Optional), GSM(Optional)	
PROTECTION		
Output Voltage Protection	When output voltage out of adjusted tolerance values, Output off with connector	
Current Protection	Thermic Magnetic Breakers	
Maintenance	Maintenance Bypass Line (15kVA and above)	
OPTIONS		
Phase Protection	In any phase failure turns of the device	
RFI / Harmonic Filter	Protects from input, surges and drops	
Harmonic Filter	RFI HARMONIC filter decreases high frequency noise and harmonic	
Isolation Transform	Input and output isolation transformer for special usage	
SYSTEM PROPERTIES		
System Design Life	20 Years	
Protection Class	IP20(Standard) to IP54(Optional), Natural Cooling(Optional)	
Storage Temperature	(-20°C) to (+70°C)	
Operating Temperature	(-10°C) to (+50°C)	
Cooling	Fan Forced Cooling (Standard), Naturel Cooling(Optional)	
Altitude	1000m (-1% Power for every 100m after 1000m) Max. 4000m	
Relative Humidity	0 – 95% (Non-condensing)	
Noise (1m away)	<40 – 55dB (depends on capacity)	<45 – 65dB (depends on capacity)
Color	RAL7035, RAL7032 (Standard), Others (Optional)	
Cable Entry	Front Bottom (Top entry optional)	
STANDARDS		
Standards	ISO9001, ISO14001	

**Note:** Product properties may change without a notice by EPC.



tCON Series Static Voltage Regulator Single Line Diagram (includes optional hardware)